

HEAVY DUTY

# Hydraulic Safety Toggle

Ask us about  
retrofitting your  
existing Hydraulic  
Toggle.

100 Mumford Road  
Lively, Ontario P3Y 1L2  
P 705.885.1600  
F 705.885.1644

**EMERGENCY + AFTER-HOURS**  
**705.885.1600 EXT. 9**

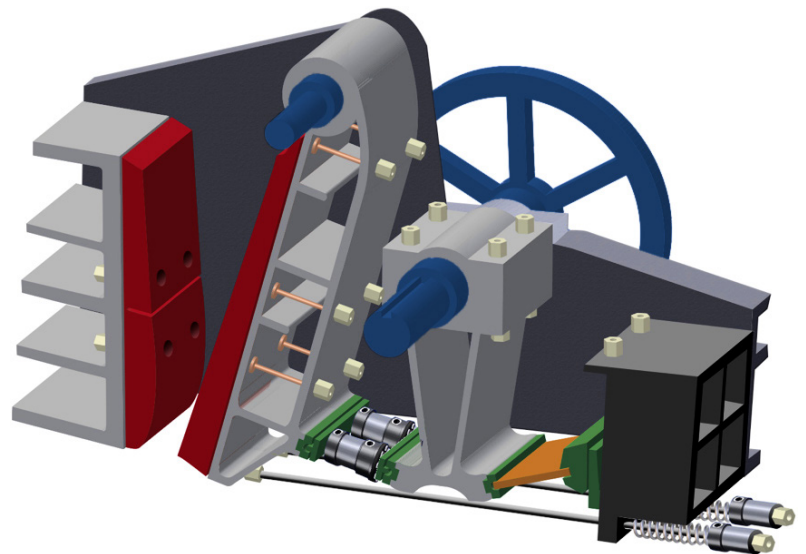
**sales@ncindustrial.ca**  
**www.ncindustrial.ca**



The HD Hydraulic Safety Toggle ergonomic design equates to increased worker safety.

Through our connection to the local operators, we have created a toggle that meets all worker safety considerations and increases production potential while decreasing maintenance cost.

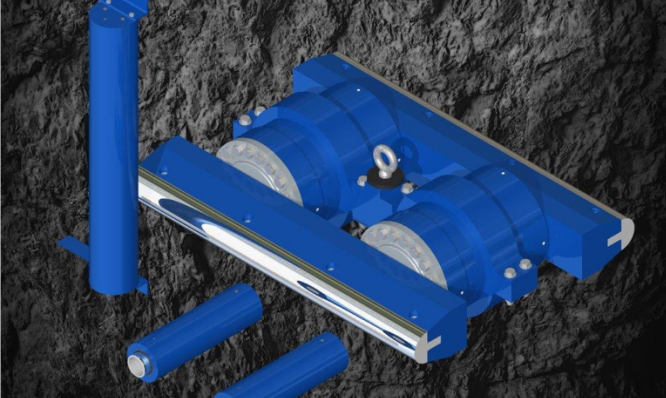
The HD Hydraulic Safety Toggle was built with a hydraulic relief philosophy suited to the application, pressure transducers for the spike analysis, LVDT positioning monitor, replaceable bullnoses, swivel style high pressure hose fittings and more. See inside for more.



**FOR PRICING**

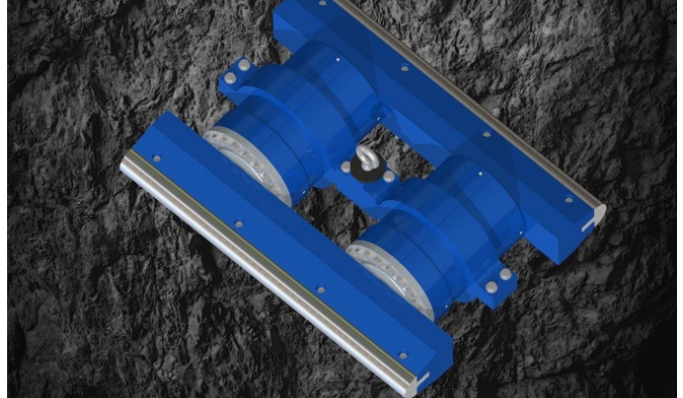
Call **705.885.1600** and ask to speak with one of our HD Hydraulic Safety Toggle specialists.

## FEATURES

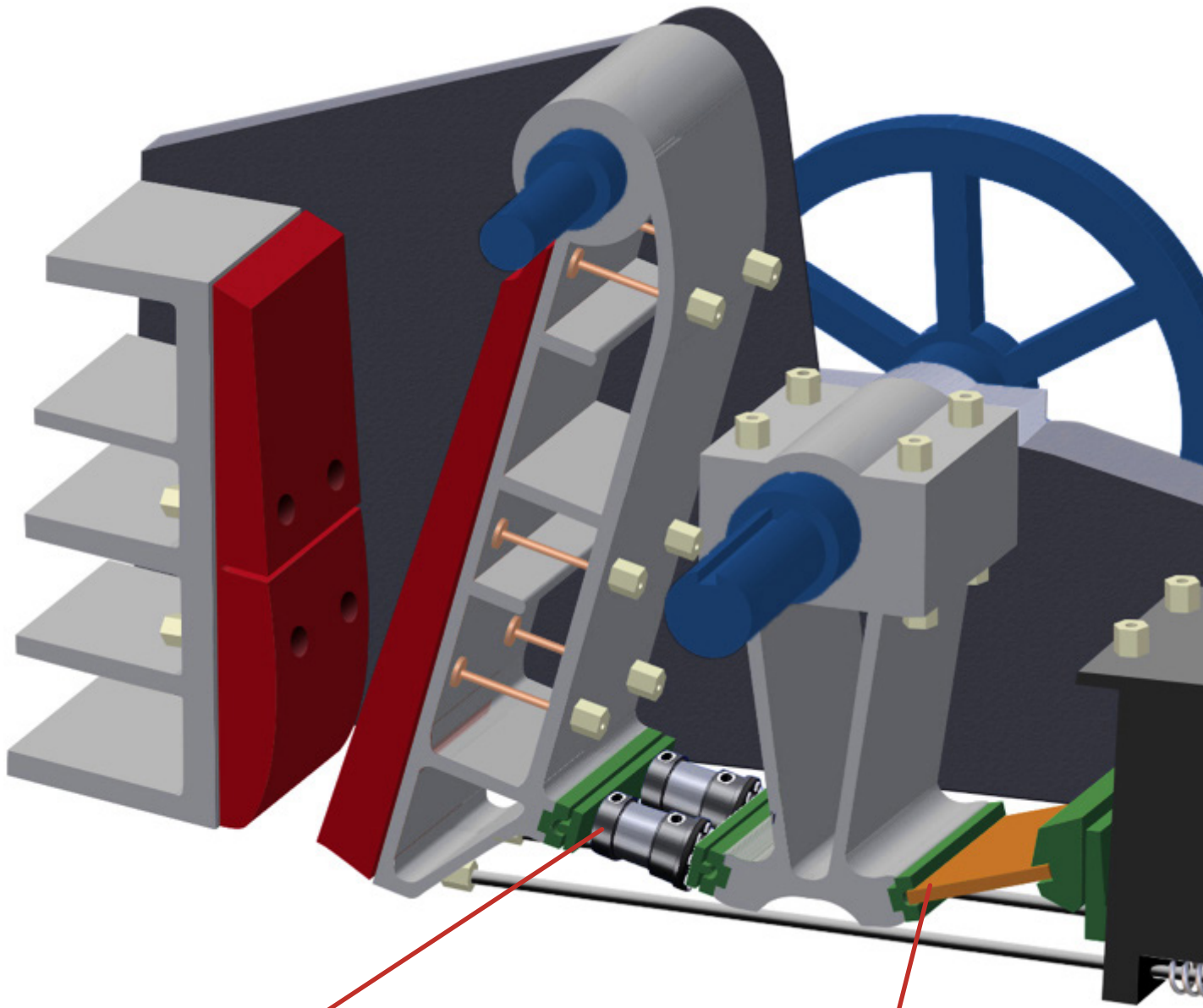


- **ROBUST CYLINDER DESIGN SUITED TO THE APPLICATION**
- **INTEGRATED FIRE SUPPRESSION**
- **HYDRAULIC RELIEF**
- **ENVIRONMENTAL PROTECTION SCHEME**
- **COMPONENTS SUITED TO TOP ENGINEERING STANDARDS**
- **THE HD HYDRAULIC SAFETY TOGGLE IS THE TRUE REPLACEMENT TO THE SHEAR TOGGLE**
- **SPIKE PROTECTION WITH LVDT POSITIONING MONITOR**

## HEAVY DUTY



- **4:1 SAFETY FACTOR ON CYLINDERS**
- **OVERSIZED TOGGLE BLOCK**
- **45GAL RESERVOIR CAPACITY**
- **HIGH PRESSURE HOSES WITH SWIVEL STYLE FITTINGS ADDED TO BORE END OF CYLINDER**
- **INTEGRATED PRESSURE TRANSDUCERS**
- **ADDITIONAL TOGGLE CYLINDER RELIEF PROTECTION AT THE CYLINDER WITH POSITIONING MONITOR**

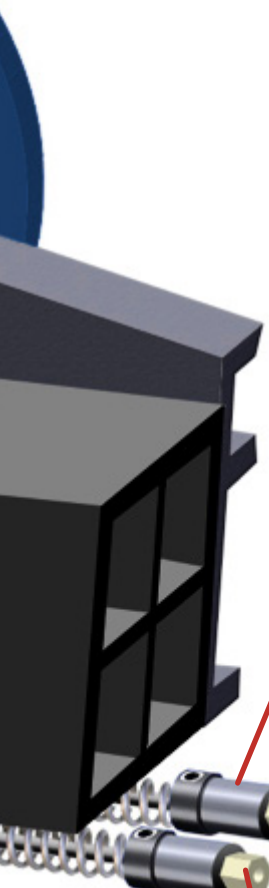


**ROBUST CYLINDER DESIGN**

- **HYDRAULIC RELIEF PHILOSOPHY SUITED TO THE APPLICATION**
- **PRESSURE TRANSOURCERS FOR THE SPIKE ANALYSIS**
- **LVDT POSITIONING MONITOR**
- **REPLACEABLE BULLNOSES**
- **SWIVEL STYLE HIGH PRESSURE HOSE FITTINGS**

- **CAN OPERATE WITH OR WITHOUT SHEAR TOGGLE**

**COMPLIANT**  
**ISO**  
**14001**  
ENVIRONMENTAL  
MANAGEMENT  
SYSTEM



■ **THROUGH HOLE  
DESIGN FOR SPRING  
ADJUSTMENT**

■ **POLYURETHANE &  
HYTHANE SEALS FOR  
SUPERIOR SEALING  
VALUE**

## NOTABLE features



ERGONOMIC  
DESIGN



INCREASED  
WORKER SAFETY



OPTIONAL INFRARED  
CONTROLS

**ISO**

CONFORMS TO  
ISO14001 ENVIRO.  
SPECS.

- **45 GALLON RESERVOIR DESIGNED TO SUIT SYSTEM CAPACITY**
- **EXTERNAL PUMP**
- **INTEGRATED FIRE SUPPRESSION SYSTEM**
- **CARTRIDGE STYLE VALVE TO ELIMINATE LEAK POINTS**
- **KIDNEY FILTRATION PORTS TO MAINTAIN HYDRAULIC FLUIDS**
- **COMPATIBLE WITH MOST PROGRAMMABLE LOGIC CONTROLS**
- **BLOCK AND BLEED SYSTEM FOR ZERO ENERGY STATE**